

LX530S TV Tuner Built-In Digital Signage



▶ 42LX530S

42" class (42.2"/1071mm diagonal)



Run messages on up to 50 TVs in the form of a billboard without any additional hardware. Advertisements, information and broadcast content can be arranged on the same screen to attract attention and deliver specific messaging to your customer base.

MESSAGE DELIVER

Deliver your messages while broadcasting live channels simultaneously.



ALL-IN-ONE DISPLAY SOLUTION

No need to purchase any additional hardware or software.



SIMPLE CONNECTION

Needs only a power, LAN connection and a USB to operate.



FREE SUPERSIGN LITE

- 74 pre-installed templates for multiple verticals
- Schedule your messages to show on all or on specific TV's, at the times you choose.
- Remotely control maximum 50 TVs over the network



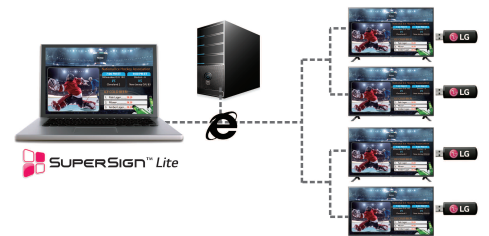
74
Free templates

HOW TO USE SUPERSIGN TV

Option 1. Stand-alone



Option 2. Networked TVs

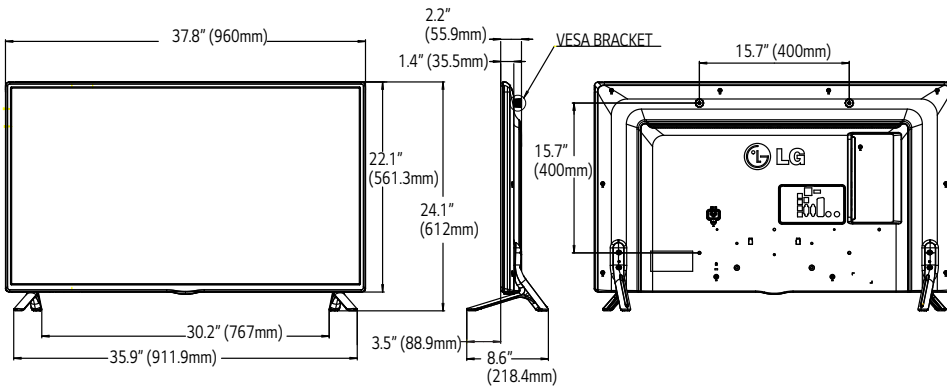


LX530S TV Tuner Built-In Digital Signage

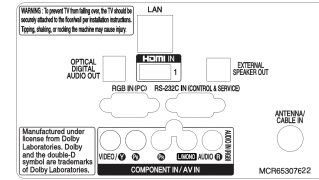


▶ 42LX530S

42" class (42.2"/1071mm diagonal)



Rear Jack Panel



Side Jack Panel



PANEL	MODEL	42LX530S
	Size	42" Class (42.2"/1071mm" diagonal)
	Panel Technology	IPS
	Backlight Type	LED (Direct)
	Brightness	300 cd/m ²
	Dynamic Contrast Ratio	1,000,000 : 1
	Static Panel Contrast Ratio	1,200 : 1
	Viewing Angle	178°/178°
	Response Time (G to G)	8 ms
	Frame Rate	60Hz
BROADCASTING SYSTEM	Analog	NTSC
	Digital	ATSC, Clear QAM/VSB
VIDEO	Resolution	1920 x 1080 (FHD)
	Triple XD Engine	Yes
AUDIO	Aspect Ratio	Yes 6 modes (16:9, Just scan, Set by program, 4:3, Zoom, Cinema zoom 1)
	Audio Output	10W + 10W
	Sound System	2.0 ch
	Sound Mode	Yes 6 modes (Standard, News, Music, Cinema, Sport, Game)
SPECIAL FEATURES	Clear Voice	Yes
	Sound Optimizer	Yes 3 modes (Normal, Wall-Mount Type, Stand Type)
	Remote Diagnosis/Self Diagnosis	Yes (USB)
	HDMI-CEC	Yes (without ARC)
	HTNG-CEC	Yes
	Welcome Screen	Yes (Splash Image)
	Lock Mode	Yes
	Multi IR Code	Yes
	Public Display Mode	Yes
	USB Cloning	Yes
	IR Out	RS-232C
	USB Auto Play Back	Yes
	Moving Picture Playback (SD/HD/Plus HD)	asf, wmv, 3gp, 3gp2, divx, avi, mp4, m4v, mov, mkv, ts, trp, tp, mts, m2ts, vob, mpg, mpeg, mpe
	Picture	jpeg, jpg, jpe, BMP, PNG
	Audio Codec	mp3, AAC, M4A, OGG, WMA, WMA 10 Pro
	External Speaker Out	Variable/Fixed/Line Out, 3.5mm, Stereo, Single Ended Type (GND, L+, R+), 1W with 8Ω
	RJP Compatibility	RS232C, HDMI
RJP Interface	RS232C, HDMI CEC	
Auto Off/ Auto Sleep	Yes	
Smart Energy Saving	Yes	
Kensington Lock	Back Cover	
RTC (Real Time Clock)	Yes	
Wi-Fi	Wi-Fi Dongle Ready	
SuperSign Lite (3.0)	Yes	

INTERFACE (SIDE)	MODEL	42LX530S
	HDMI In	1
	USB	2 (2.0)
INTERFACE (REAR)	RF In	1
	AV In (Composite)	1 (Sharing with Component In)
	Component In	1 (Y, Pb, Pr) + Audio (L/R)
	Digital Audio Out	1 (Optical)
	RGB In	1 (D-sub 15pin)
	PC Audio Input	1 (Sharing with Component In)
	RS-232C	1 (D-sub 9pin)
	HDMI In	1
	LAN	1 (RJ45)
	External Speaker Out	1 (3.5mm Phone Jack)
POWER	Voltage	110 - 240V, 50/60Hz
	Typical	35.5W
	Stand-by	0.5W ↓
CABINET	Bezel On (L/R, T, B) (mm)	11.0/11.0, 11.0, 16.5
	Bezel Off (L/R, T, B) (mm)	8.5/8.5, 8.5, 14.0
	Depth	2.2" (55.5mm)
	Without Stand (WxHxD)	37.8"x22.3"x2.2" (960mm x566.4mm x55.9mm)
	With Stand (WxHxD)	37.8"x24.0"x8.6" (960mm x609.6mm x218.4mm)
	Weight	20.9 lbs
	Carton (WxHxD)	41.5"x 25.4"x5.7" (1,054mm x645.2mm x 144.7mm)
	Carton Weight	25.6 lbs
VESA™ Compatibility	400mm x 400mm	
CERTIFICATION (STANDARD)	Safety	UL, FCC
	Environment	RoHS, cUL, NOM
	Energy Star® 7.0	Yes
WARRANTY	2-Year Limited Warranty (Parts and Labor) Extended Warranties Available	
UPC	7 19192 19705 3	
ACCESSORIES	Cable	Power cord
	Manual / ESG	Simple book
OPTIONAL ACCESSORIES	AN-WF500 (Wi-Fi Dongle)	

The estimated annual energy cost determined in accordance with 16 CFR Part 305.5 for models 42LX530S is \$9.

¹Your energy cost depends on your utility rates and use. The estimated cost is based on 11 cents per kWh and 5 hours of use per day. For more information, visit www.ftc.gov/energy.

²FTC Television labeling rule (18 CFR Part 305, as added by 76 Fed. Reg. 1038 (Jan 6, 2011)).



LG Electronics U.S.A., Inc.
HE B2B Division
2000 Millbrook Drive
Lincolnshire, IL 60069
Customer Service: 888.865.2026
Channel: 800.897.8871
www.LGSolutions.com/support
Contact your LG Regional Sales Representative:
Channel: 800.228.1236
Hospitally: 800.228.1236
E-mail: info@LGSolutions.com



All screen images are simulated. Dimensions and weights are approximate. Design, features and specifications subject to change without notice.

© Copyright 2015 LG Electronics USA, Inc. All Rights Reserved. "LG Life's Good" is a registered trademark of LG Corp. XD Engine is a registered trademark of LG Electronics, Inc. HealthView and EcoSmart are trademarks of LG Corp. ENERGY STAR is a registered trademark of the U.S. Environmental Protection Agency. Dolby and the double-D symbol are registered trademarks of Dolby Laboratories. SRS and the SRS symbol, TruSurround XT and WOW are trademarks or registered trademarks of SRS Labs, Inc. VESA is a trademark of Video Electronics Standards Association. All other product and brand names are trademarks or registered trademarks of their respective companies.